

LightLink LANSystem 3RU Fiber Termination Patch Panel

The AFL 3RU Fiber Termination Patch Panel is designed for use as a rack mount interconnect point where termination and connectivity of up to 96 fibers is desired. The panel design is based on a 3 rack unit height with a master plate that is provisioned with nine LGX® 118 compatible mounting positions that can accommodate adapter plates, XFM® optical cassettes, passive optical modules or any combination therein.

Standard 3RU Fiber Termination Patch Panels are available empty for complete field configuration, half loaded with adapter plates, or stubbed with a factory installed circular premise cable (CPC) or loose tube cable assembly.

Specifications

- Telcordia® GR-63 NEBS Tested
- Aluminum construction per ASTM B209
- Durable textured powder coat finish available in black or white
- Universal 19/23" EIA/TIA rack compatibility
- Standard density: up to 48-fiber
- High density: up to 96-fiber
- LGX 118 compatible
- Standard cable stub location is right rear exiting upward

Features

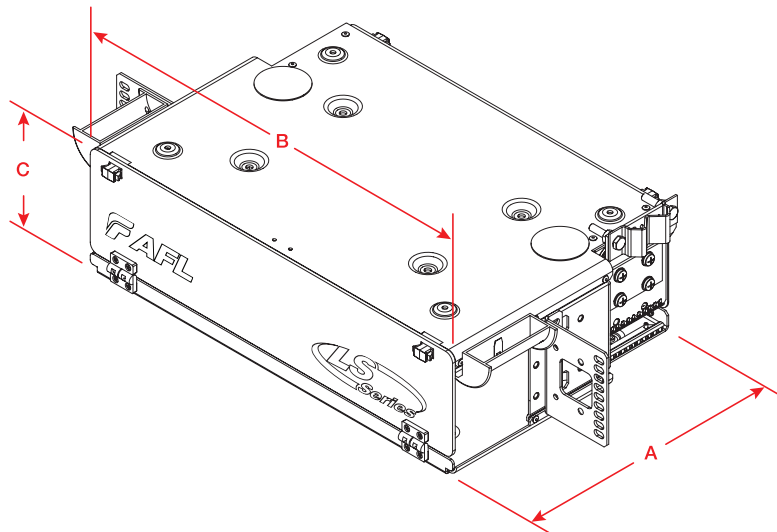
- Fits comfortably into new and existing interconnect, cross-connect, customer premise, and co-location environments
- Most common connector styles and types available
- Compatible with industry standard equipment frames
- LGX compatible master plate (118 mm)
- Modular design
- Provides maximum protection of optical components

Applications

- Telecommunications closets
- Data Centers
- Customer Premise
- LAN / WAN Networks
- Central Offices / Headends
- Hubs / Cabinets / Remote Terminals
- FTTH / FTTB Networks

Dimensions

DEPTH (A) IN INCHES	WIDTH (B) IN INCHES	HEIGHT (C) IN INCHES	RACK UNITS	FIBER CAPACITY	UNLOADED WEIGHT	MATERIAL GAUGE
11.00	17.00	5.25	3	48/96	8.4 lbs.	2.03 mm



LGX is a registered trademark of Furukawa Electric North America, Inc.

Telcordia is a registered trademark of Telcordia Technologies, Inc.

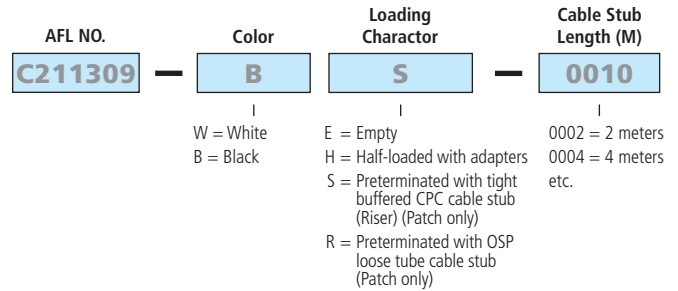
LightLink LANSystem 3RU Fiber Termination Patch Panel

Ordering Information

Select the seven digit AFL part number you need, specify black or white, and choose the loading character desired.

When ordering stubbed (S), enter the cable stub length required in meters.

Note: Standard stub is Circular Premise Cable (CPC).



Example: Order number for a panel Black in color, loaded with 48 PSC adapters (8 six packs), connectors and a cable stub 10 meters in length.

Configuration Part Numbers

All cable clamps offered separately so that customers may choose the correct clamp for their application.

CONFIGURATION	AFL NO.
CON048P—3 RU PATCH PANELS—48 FIBERS—LGX118	
EMPTY	C211291
48 PSC adapters (8 Six Packs)	C211309
48 UST adapters (8 Six Packs)	C211336
48 PST adapters (8 Six Packs)	C211345
24 UDL (dup) adapters (8 Three Packs)	FM000181
24 PDL (dup) adapters (8 Three Packs)	FM000182
48 ASC adapters (8 Six Packs)	C213928
48 UFC adapters (8 Six Packs)	C213916
48 USC adapters (8 Six Packs)	C213923
48 AFC adapters (8 Six Packs)	C213919
24 PSF (dup) adapters (8 Three Packs)	FM000183
24 USF (dup) adapters (8 Three Packs)	FM000184
24 ASF (dup) adapters (8 Three Packs)	FM000185
CON096HD—3 RU HIGH DENSITY PATCH PANELS—96 FIBERS—LGX118	
96 UST adapters (8 Twelve Packs)	FM000187
96 PST adapters (8 Twelve Packs)	FM000188
48 UDL (dup) adapters (8 Six Packs)	C211349
48 PSF (dup) adapters (8 Six Packs)	C211313
48 PDL (dup) adapters (8 Six Packs)	C211360
48 USF (dup) adapters (8 Six Packs)	FM000189
48 ASF (dup) adapters (8 Six Packs)	FM000190

Notes:

- 1) All MM cable is 62.5 μm unless otherwise specified.
- 2) When ordering Empty Termination Patch/Splice Panel, accessories are available for field configuration.

Connector/Adapter Key

TYPE	DESCRIPTION
ASC	SC—Angle Polish, Simplex, SM
ASF	SC—Angle Polish, Duplex, SM
PSC	SC—Physical Polish, Simplex, MM
PSF	SC—Physical Polish, Duplex, MM
USC	SC—Ultra Polish, Simplex, SM
USF	SC—Ultra Polish, Duplex, SM
PST	ST—Physical Polish, Simplex, MM
UST	ST—Ultra Polish, Simplex, SM
AFC	FC—Angle Polish, Simplex, SM
PFC	FC—Physical Polish, Simplex, MM
UFC	FC—Ultra Polish, Simplex, SM
ADL	LC—Angle Polish, Duplex, SM
PLC	LC—Physical Polish, Simplex, MM
PDL	LC—Physical Polish, Duplex, MM
ULC	LC—Ultra Polish, Simplex, SM
UDL	LC—Ultra Polish, Duplex, SM