

LightLink LANSystem 4RU Fiber Termination Patch Panel



The AFL 4RU Fiber Termination Patch Panel is designed for use as a rack mount interconnect point where termination and connectivity of up to 144 fibers is desired. The panel design is based on a 4 rack unit height with a master plate that is provisioned with 12 LGX® 118 compatible mounting positions that can accommodate adapter plates, XFM® optical cassettes, passive optical modules or any combination therein.

Standard 4RU Fiber Termination Patch Panels are available empty for complete field configuration, half loaded with adapter plates, or stubbed with a factory installed circular premise cable (CPC) or loose tube cable assembly.

Specifications

- Telcordia® GR-63 NEBS Tested
- Aluminum construction per ASTM B209
- Durable textured powder coat finish available in black or white
- Universal 19/23" EIA/TIA rack compatibility
- Standard density: up to 72-fiber
- High density: up to 144-fiber
- LGX 118 compatible
- Standard cable stub location is right rear exiting upward

Features

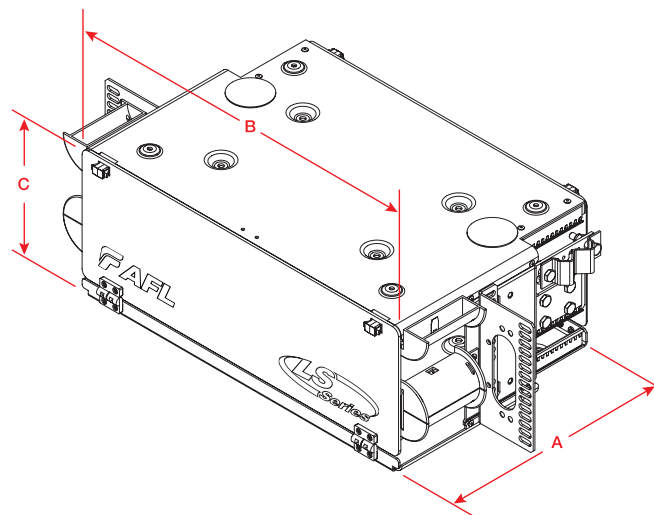
- Fits comfortably into new and existing interconnect, cross-connect, customer premise, and co-location environments
- Most common connector styles and types available
- Compatible with industry standard equipment frames
- LGX compatible master plate and footprint (118 mm)
- Modular design
- Provides maximum protection of optical components

Applications

- Telecommunications closets
- Data Centers
- Customer Premise
- LAN / WAN Networks
- Central Offices / Headends
- Hubs / Cabinets / Remote Terminals
- FTTH / FTTB Networks

Dimensions

DEPTH (A) IN INCHES	WIDTH (B) IN INCHES	HEIGHT (C) IN INCHES	RACK UNITS	FIBER CAPACITY	UNLOADED WEIGHT	MATERIAL GAUGE
11.00	17.00	7.00	4	72/96/144	9 lbs.	2.03 mm



LGX is a registered trademark of Furukawa Electric North America, Inc.

Telcordia is a registered trademark of Telcordia Technologies, Inc.

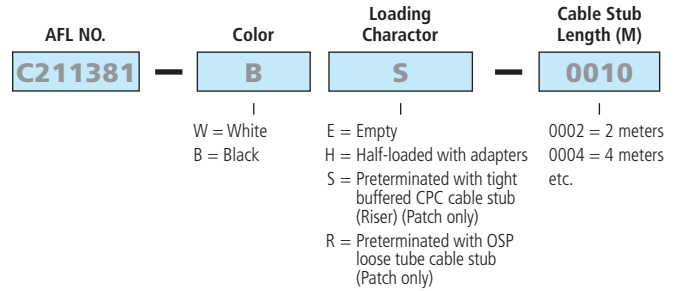
LightLink LANSystem 4RU Fiber Termination Patch Panel

Ordering Information

Select the seven digit AFL panel part number, specify the color, and choose the loading character desired.

When ordering stubbed (S), enter the cable stub length required in meters.

Note: Standard stub is Circular Premise Cable (CPC).



Example: Order number for a panel Black in color, loaded with 72 PSC adapters (12 six packs), connectors and a cable stub 10 meters in length.

Ordering Information

CONFIGURATION	AFL NO.
CON072P—4 RU PATCH PANELS—72 FIBERS—LGX118	
EMPTY	C211372
72 PSC adapters (12 Six Packs)	C211390
72 UST adapters (12 Six Packs)	C211417
72 PST adapters (12 Six Packs)	C211426
36 UDL (dup) adapters (12 Three Packs)	FM000191
36 PDL (dup) adapters (12 Three Packs)	FM000192
72 ASC adapters (12 Six Packs)	C213955
72 UFC adapters (12 Six Packs)	C213941
72 USC adapters (12 Six Packs)	C213952
72 AFC adapters (12 Six Packs)	C213946
36 PSF (dup) adapters (12 Three Packs)	FM000193
36 USF (dup) adapters (12 Three Packs)	FM000136
36 ASF (dup) adapters (12 Three Packs)	FM000194

CONFIGURATION	AFL NO.
CON096P—4 RU PATCH PANELS—96 FIBERS—LGX118	
EMPTY	FM000344
96 PSC adapters (12 Eight Packs)	FM000203
96 UST adapters (12 Eight Packs)	C213964
96 PST adapters (12 Eight Packs)	FM000204
96 ASC adapters (12 Eight Packs)	C213982
96 UFC adapters (12 Eight Packs)	C213970
96 USC adapters (12 Eight Packs)	C213977
96 AFC adapters (12 Eight Packs)	C213973

Notes:

- 1) All MM cable is 62.5 μm unless otherwise specified.
- 2) When ordering Empty Termination Patch/Splice Panel, accessories are available for field configuration.

CONFIGURATION	AFL NO.
CON144HD—4 RU HIGH DENSITY PATCH PANELS—144 FIBERS—LGX118	
EMPTY	FM000344
72 UDL (dup) adapters (12 Six Packs)	C211432
72 ADL (dup) adapters (12 Six Packs)	FM000345
72 PSF (dup) adapters (12 Six Packs)	C211396
72 PDL (dup) adapters (12 Six Packs)	C211439
72 USF (dup) adapters (12 Six Packs)	FM000196
72 ASF (dup) adapters (12 Six Packs)	FM000197
144 UST adapters (12 Twelve Packs)	FM000198
144 PST adapters (12 Twelve Packs)	FM000199
144 UFC adapters (12 Twelve Packs)	FM000200
144 USC adapters (12 Twelve Packs)	FM000133
144 ASC adapters (12 Twelve Packs)	FM000201

Connector/Adapter Key

TYPE	DESCRIPTION
ASC	SC—Angle Polish, Simplex, SM
ASF	SC—Angle Polish, Duplex, SM
PSC	SC—Physical Polish, Simplex, MM
PSF	SC—Physical Polish, Duplex, MM
USC	SC—Ultra Polish, Simplex, SM
USF	SC—Ultra Polish, Duplex, SM
PST	ST—Physical Polish, Simplex, MM
UST	ST—Ultra Polish, Simplex, SM
AFC	FC—Angle Polish, Simplex, SM
PFC	FC—Physical Polish, Simplex, MM
UFC	FC—Ultra Polish, Simplex, SM
ADL	LC—Angle Polish, Duplex, SM
PLC	LC—Physical Polish, Simplex, MM
PDL	LC—Physical Polish, Duplex, MM
ULC	LC—Ultra Polish, Simplex, SM
UDL	LC—Ultra Polish, Duplex, SM