

LightLink LANSystem 5RU Fiber Termination Patch Panel



The AFL 5RU Fiber Termination Patch Panel is designed for use as a rack mount interconnect point where termination and connectivity of up to 288 fibers is desired. The panel design is based on a 5 rack unit height with a master plate that is provisioned with twelve LGX® 170 compatible mounting positions that can accommodate adapter plates, XFM® optical cassettes, passive optical modules or any combination therein.

Standard 5RU Fiber Termination Patch Panels are available empty for complete field configuration, half loaded with adapter plates, or stubbed with a factory installed circular premise cable (CPC) or loose tube cable assembly. High density panels utilize two 144 fiber stubs for 288 terminations.

Specifications

- Telcordia® GR-63 NEBS Tested
- Aluminum construction per ASTM B209
- Durable textured powder coat finish available in black or white
- Universal 19/23" EIA/TIA rack compatibility
- Standard density: up to 144-fiber
- High density: up to 288-fiber
- LGX 170 compatible
- Standard cable stub location is right rear exiting upward

Features

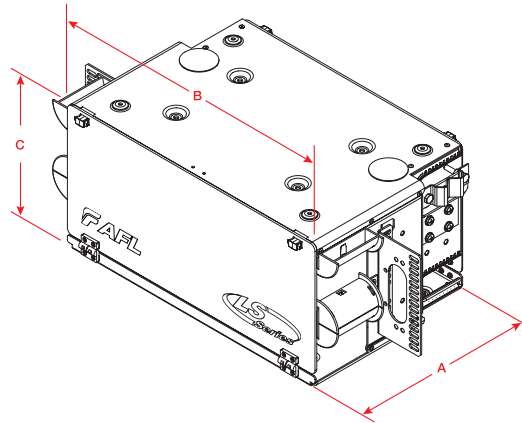
- Fits comfortably into new and existing interconnect, cross-connect, customer premise, and co-location environments
- Most common connector styles and types available
- Compatible with industry standard equipment frames
- LGX compatible master plate (170 mm)
- Modular design
- Provides maximum protection of optical components

Applications

- Telecommunications closets
- Data Centers
- Customer Premise
- LAN / WAN Networks
- Central Offices / Headends
- Hubs / Cabinets / Remote Terminals
- FTTH / FTTB Networks

Dimensions

DEPTH (A) IN INCHES	WIDTH (B) IN INCHES	HEIGHT (C) IN INCHES	RACK UNITS	FIBER CAPACITY	UNLOADED WEIGHT	MATERIAL GAUGE
11.00	17.00	8.75	5	144/288	9 lbs.	2.03 mm



LGX is a registered trademark of Furukawa Electric North America, Inc.

Telcordia is a registered trademark of Telcordia Technologies, Inc.

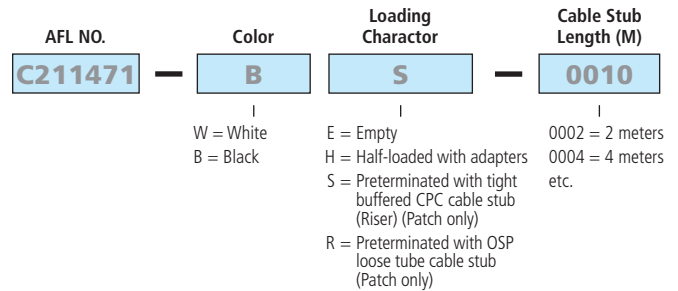
LightLink LANSystem 5RU Fiber Termination Patch Panel

Ordering Information

Select the seven digit AFL panel part number, specify the color, and choose the loading character desired.

When ordering stubbed (S), enter the cable stub length required in meters.

Note: Standard stub is Circular Premise Cable (CPC).



Example: Order number for a panel Black in color, loaded with 144 PSC adapters (12 twelve packs), connectors and a cable stub 10 meters in length.

Ordering Information

CONFIGURATION	AFL NO.
CON144P—5 RU PATCH PANELS—144 FIBERS—LGX170	
EMPTY	C211453
144 PSC adapters (12 Twelve Packs)	C211471
144 UST adapters (12 Twelve Packs)	C211498
144 PST adapters (12 Twelve Packs)	C211507
72 UDL (dup) adapters (12 Six Packs)	FM000206
72 PDL (dup) adapters (12 Six Packs)	FM000207
144 ASC adapters (12 Twelve Packs)	C214009
144 UFC adapters (12 Twelve Packs)	C213995
144 USC adapters (12 Twelve Packs)	C214006
72 PSF (dup) adapters (12 Six Packs)	FM000208
72 USF (dup) adapters (12 Six Packs)	FM000209
72 ASF (dup) adapters (12 Six Packs)	FM000210
CON288HD—5 RU HIGH DENSITY PATCH PANELS (USES TWO 144 STUBS)—LGX170	
144 UDL (dup) adapters (12 Twelve Packs)	C211511
144 ADL (dup) adapters (12 Twelve Packs)	FM000346
144 PSF (dup) adapters (12 Twelve Packs)	C211475
144 USF (dup) adapters (12 Twelve Packs)	FM000212
144 ASF (dup) adapters (12 Twelve Packs)	FM000213

Notes:

- 1) All MM cable is 62.5 µm unless otherwise specified.
- 2) When ordering Empty Termination Patch/Splice Panel, accessories are available for field configuration.

Connector/Adapter Key

TYPE	DESCRIPTION
ASC	SC—Angle Polish, Simplex, SM
ASF	SC—Angle Polish, Duplex, SM
PSC	SC—Physical Polish, Simplex, MM
PSF	SC—Physical Polish, Duplex, MM
USC	SC—Ultra Polish, Simplex, SM
USF	SC—Ultra Polish, Duplex, SM
PST	ST—Physical Polish, Simplex, MM
UST	ST—Ultra Polish, Simplex, SM
AFC	FC—Angle Polish, Simplex, SM
PFC	FC—Physical Polish, Simplex, MM
UFC	FC—Ultra Polish, Simplex, SM
ADL	LC—Angle Polish, Duplex, SM
PLC	LC—Physical Polish, Simplex, MM
PDL	LC—Physical Polish, Duplex, MM
ULC	LC—Ultra Polish, Simplex, SM
UDL	LC—Ultra Polish, Duplex, SM