



## IDEAA® Exterior Distribution Cabinet Cabinet Split-lid Hand-holes

Issue Date: 19 April 2016

The IDEAA Exterior Distribution Cabinet can be mounted onto a variety of different surfaces. This application note focuses on split-lid hand-holes that are configured in such a way to accommodate the IDEAA cabinet. This document provides the following information:

- Bolt hole mounting patterns of the cabinet
- Currently available split-lid hand-holes that are outfitted to accommodate the IDEAA cabinet

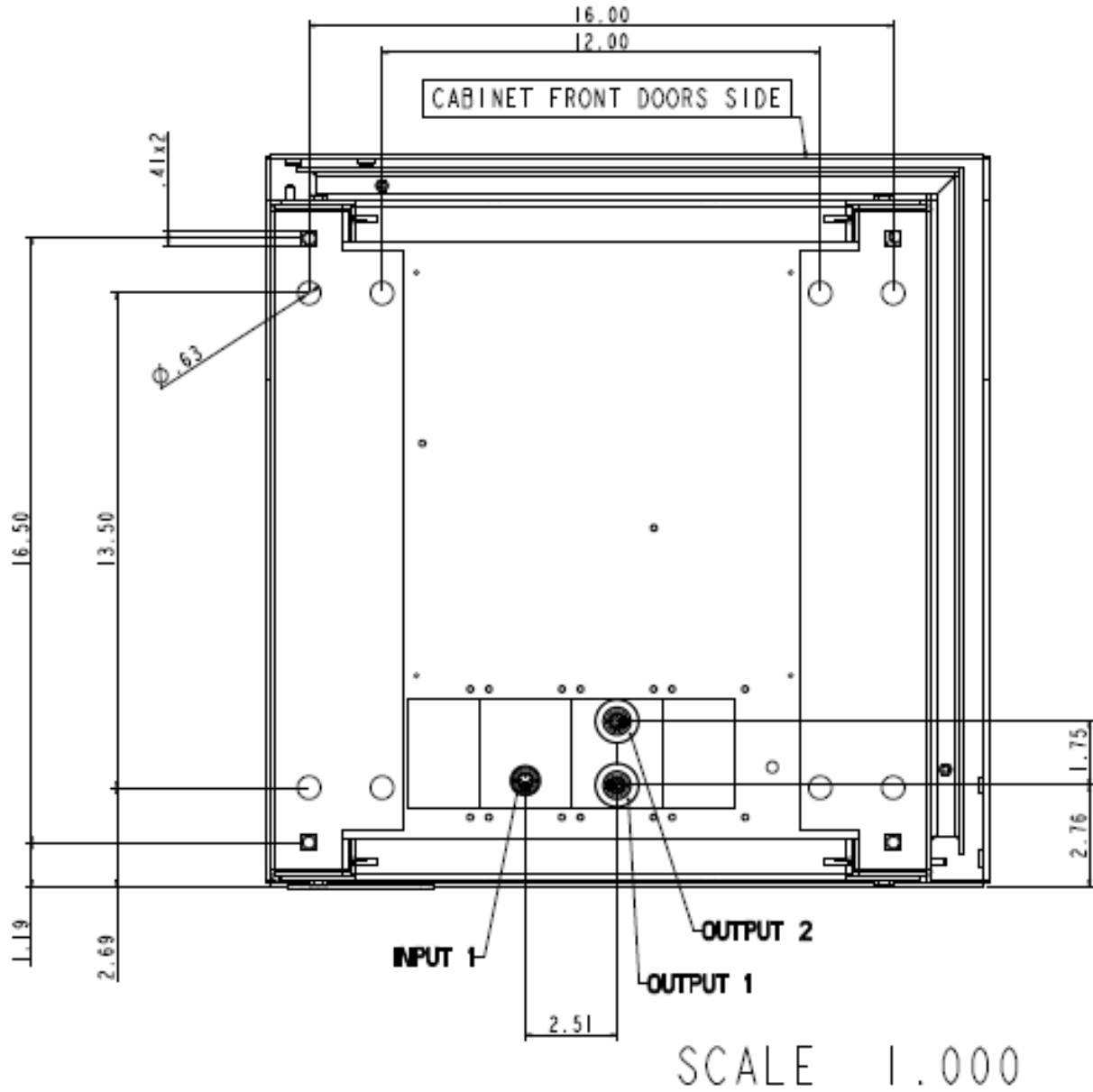
### IDEAA® Exterior Distribution Cabinet Bolt Hole Mounting Patterns

The tables below provide the applicable mounting hole dimensions for the 288F, 432F and 864F IDEAA Exterior Distribution Cabinets. In addition, the bolt hole mounting patterns for all sizes of cabinets offered by AFL are included.

432F & Under Mounting	Mounting Dimensions	Bolt Diameter	Notes
Option 1	16.0" x 12.4"	0.5"	Bolts Included with Cabinet
Option 2	16.0" x 16.5"	0.375"	

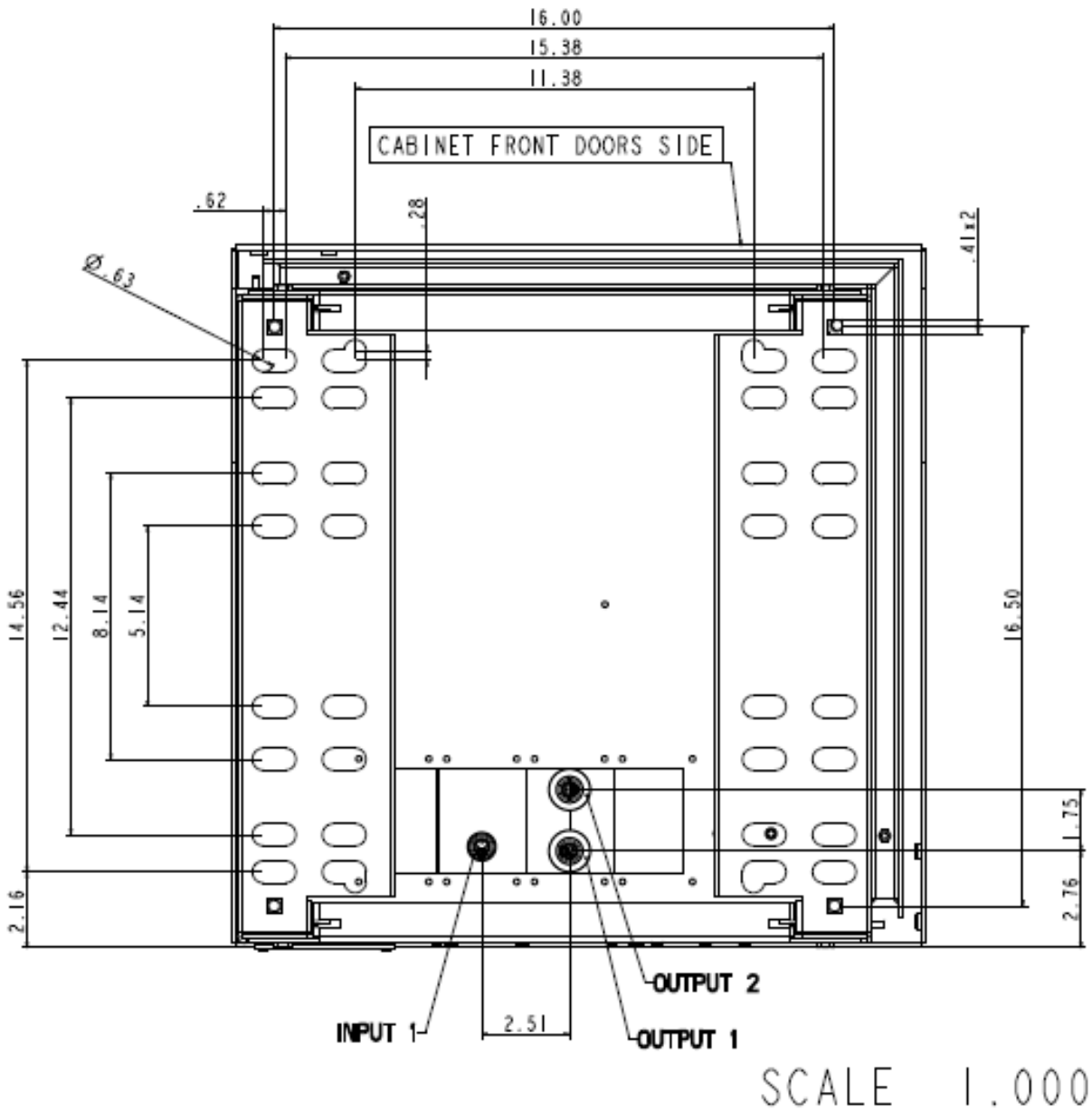
433F & Over Mounting	Mounting Dimensions	Bolt Diameter	Notes
Option 1	40.4" x 14.6"	0.5"	Bolts Included with Cabinet

432-Fiber and Under - Rev. 0

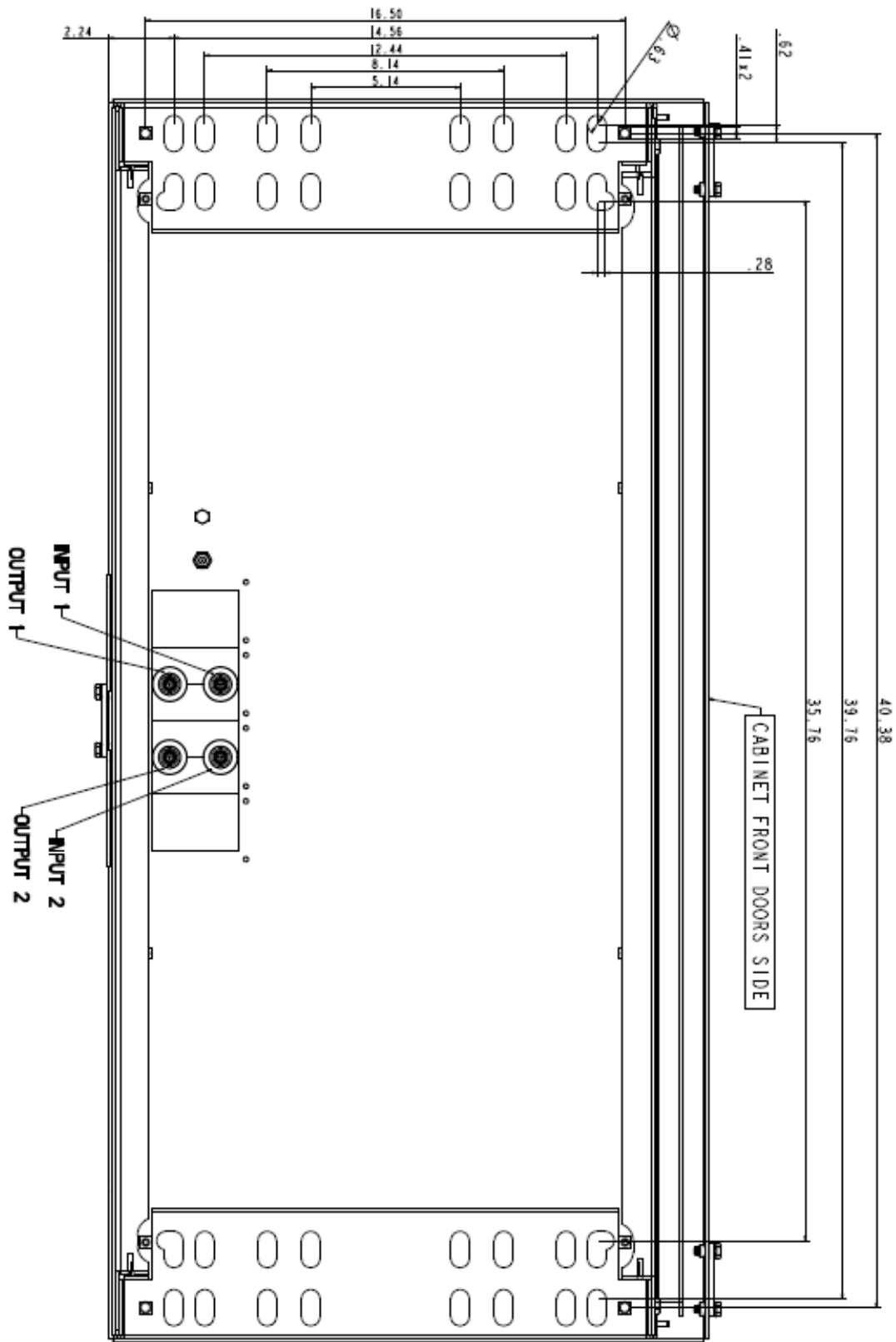


**432-Fiber and Under - Rev. 1**

Rev 1. Was designed to be backwards compatible with Rev. 0



433-Fiber and Over – Rev. 0



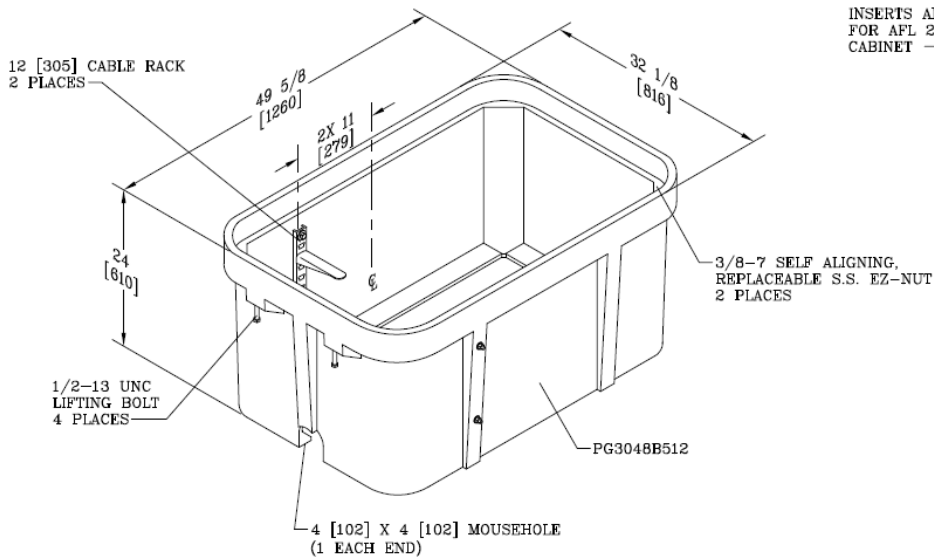
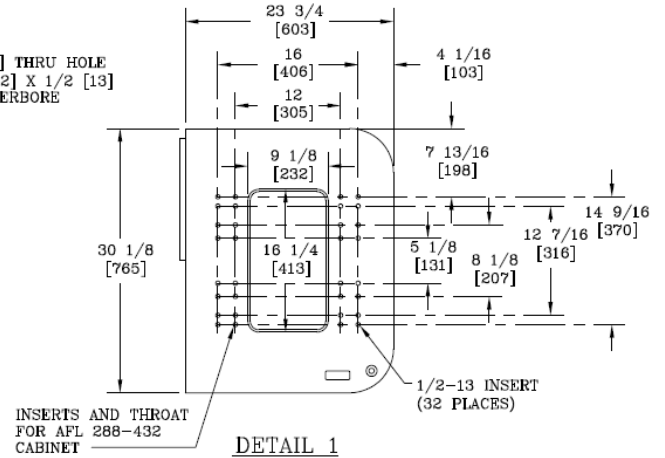
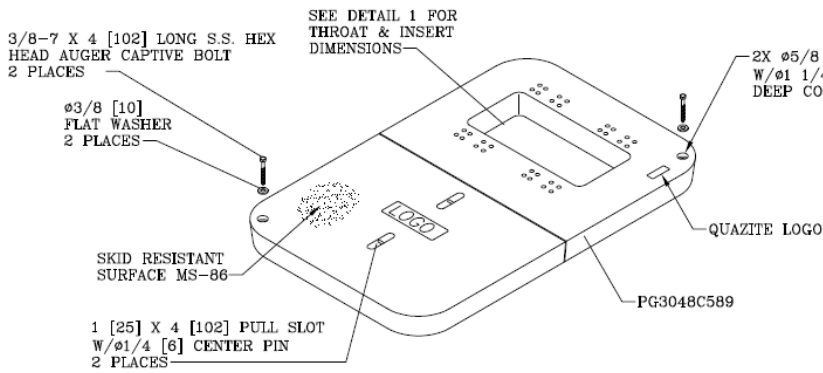
SCALE 1.000

# 432-Fiber and Under - Rev. 0 and Rev. 1

## Split-Lid Hand-Hole Options

Listed below are a few split-lid hand-hole options that are currently available to accommodate the IDEA cabinet.

<b>Option 1</b>	<b>16.0" x 12.4"</b>
QUAZITE Part No.	PG3048Z341
QUAZITE Contact Information	770-887-5536



**432-Fiber and Under - Rev. 0 and Rev. 1  
Split-Lid Hand-Hole Options (continued)**

**Option 2**

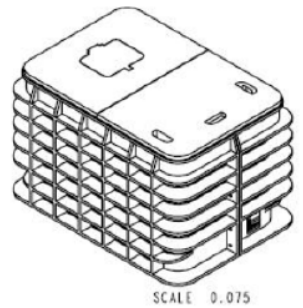
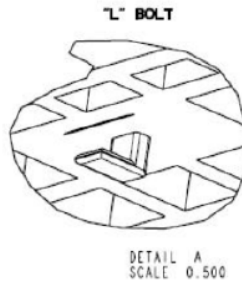
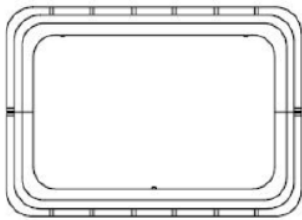
**16.0" x 16.5"**

CHANNELL Part No.

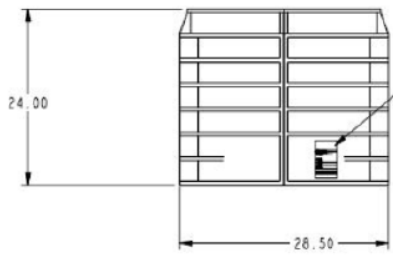
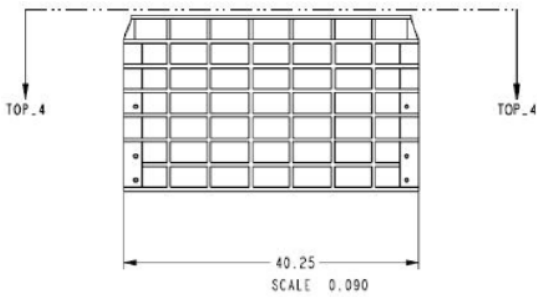
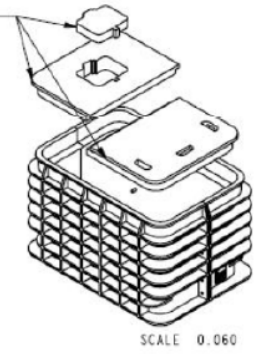
SGLB2436170001008

CHANNELL Contact Information

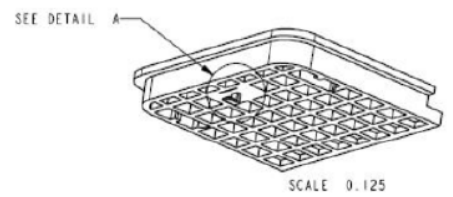
951-296-2322



COVER TYPE: SPLIT  
THERMOPLASTIC  
WITH PLUG  
LENGTH: 36"  
WIDTH: 24"  
COLOR: GREEN  
IDENTIFICATION: T  
SECURITY: L-BOLT



CRITICAL DIMENSIONS



**433-Fiber and Over - Rev. 0**  
**Split-Lid Hand-Hole Options**

<b>Option 1</b>	<b>40.4" x 14.6</b>
QUAZITE Part No.	PG4848Z837
QUAZITE Contact Information	770-887-5536

