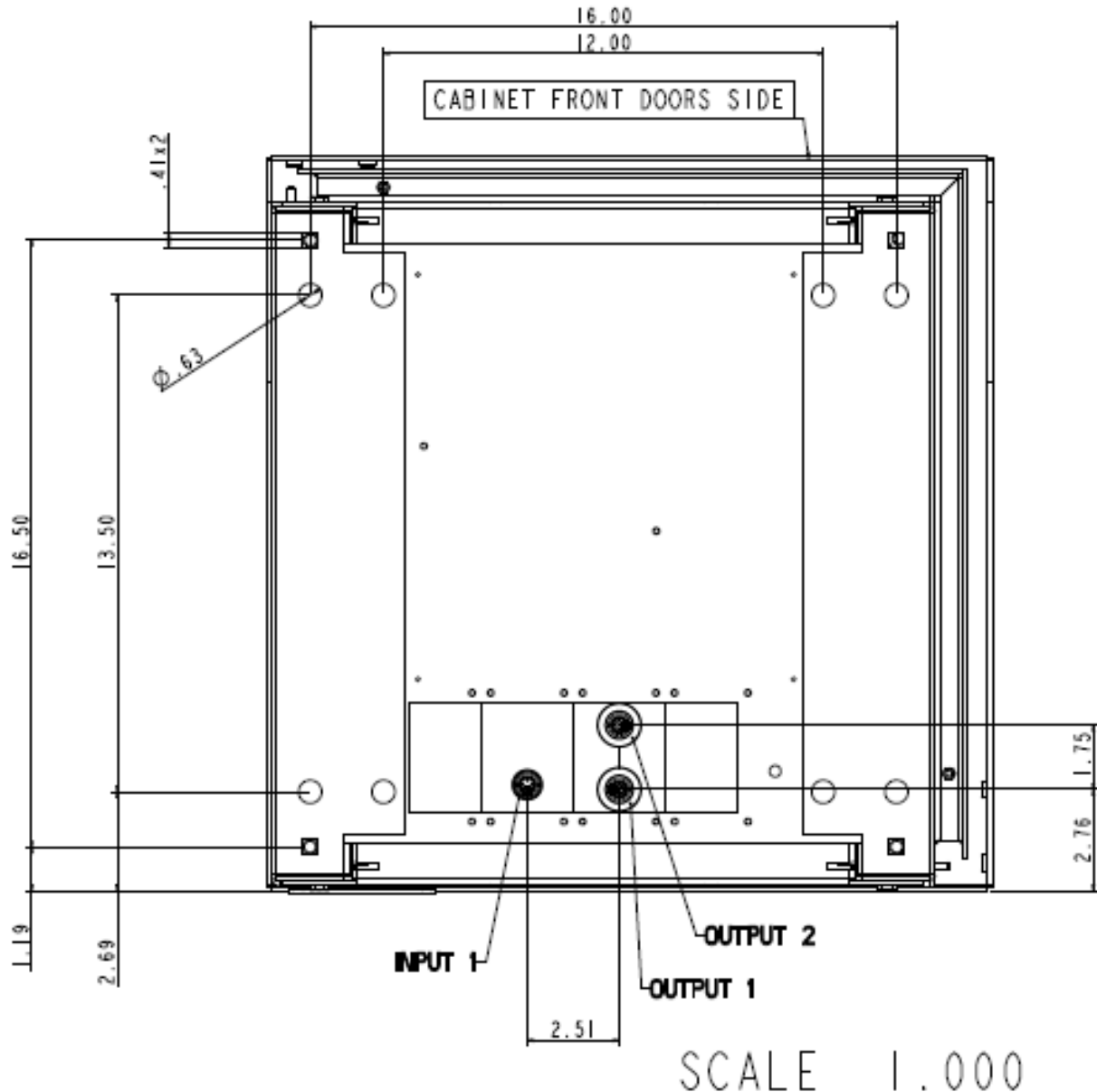


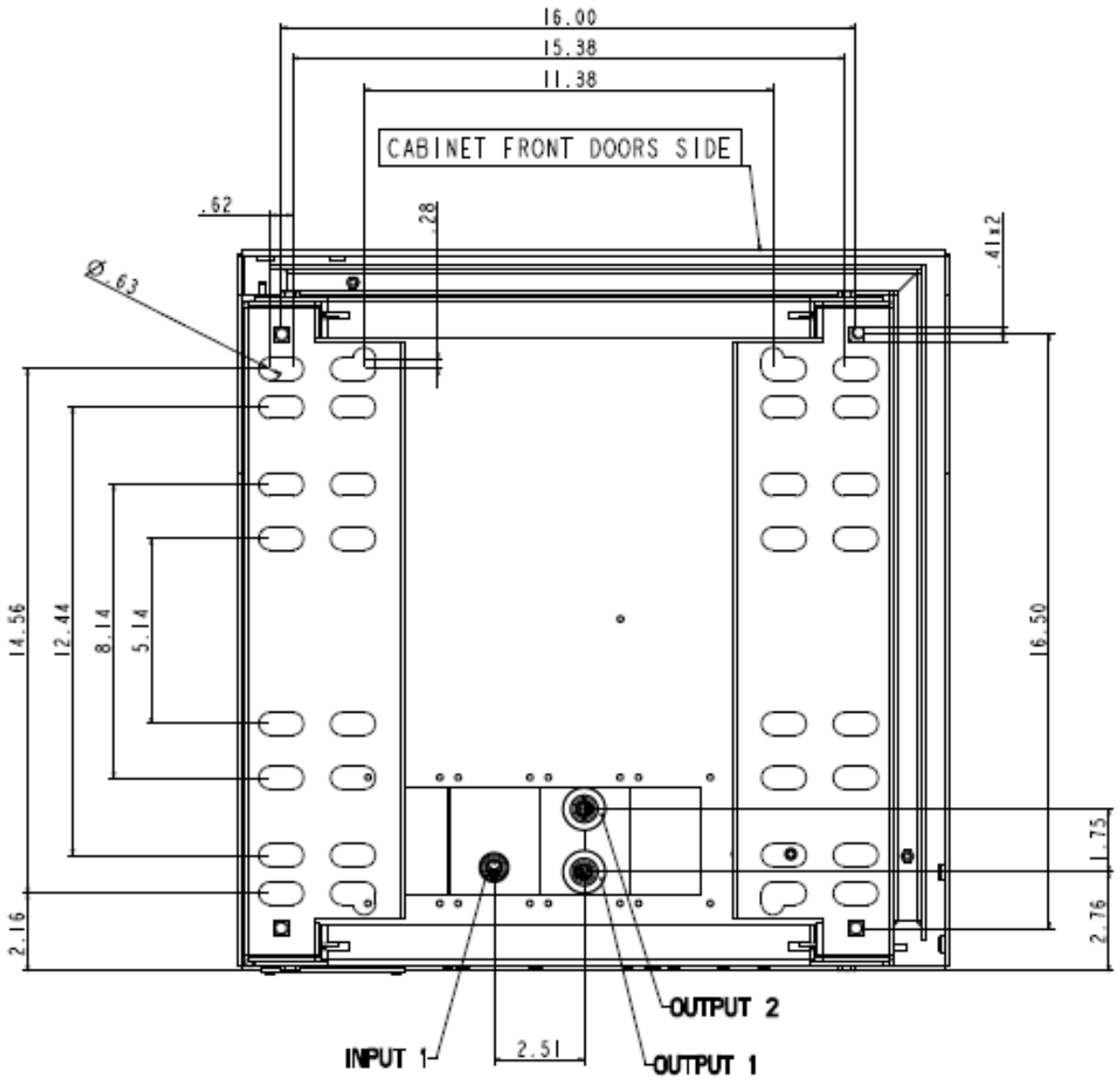
# IDEAA® Exterior Distribution Cabinet Mounting Template

Issue Date: 12 March 2015

The IDEAA Exterior Distribution Cabinet can be mounted onto a variety of different surfaces. This applications note provides the bolt hole mounting patterns for both sizes of cabinets offered by AFL.

432-fiber and under - Rev. 0





SCALE 1.000

