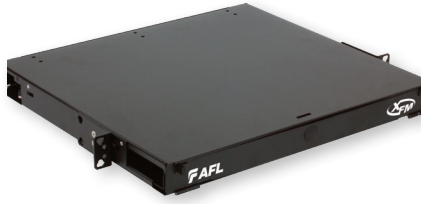


Xpress Fiber Management® (XFM) 1RU Patch Panel



The Xpress Fiber Management (XFM) 1U patch panel is a rack mountable interconnect point specifically designed to manage dense fiber applications. Based on the LGX® intermateability platform, the panel is fully compatible with AFL's XFM Optical Cassette, Passive Optical Coupler Modules, and Poli-MOD® solutions. This panel offers enhanced management of densities up to 72 fibers using MTP-LC XFM Optical Cassettes (24 fibers).

Features

- Steel construction
- Textured black powder coat finish
- Universal WECO/TIA 19"/23" rack compatibility
- (3) LGX 118 adapter plate / module mounting positions
- Slide-out tray with relief cut-outs for simplified connector access
- Optional front door key lock for heightened protection of internal components

Applications

- Data Centers
- Enterprise Networks
- Telecommunications Closets
- Central Offices / Headends

Specifications

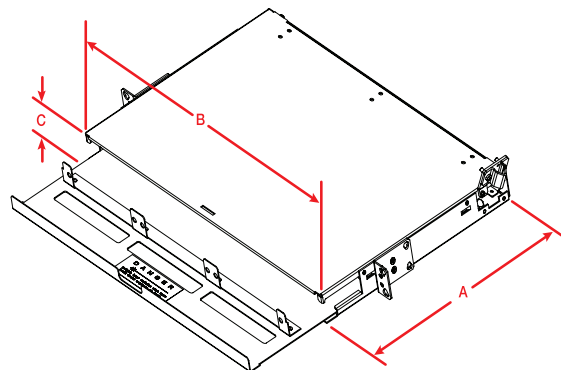
DEPTH (A) (inches)	WIDTH (B) (inches)	HEIGHT (C) (inches)	RACK UNITS	CAPACITY	UNLOADED WEIGHT
15.5	17	1.7	1	(3) LGX 118	13 lbs.

Ordering Information

DESCRIPTION	MODEL NUMBER	AFL NO.
Xpress Fiber Management 1U Patch Panel, Black, Empty	XFM-1-U-B-0	FM002711-BE

Accessories

DESCRIPTION	AFL NO.
Kit, Lock, for CON/CNS Panels	FM001318



LGX is a registered trademark of Furukawa Electric North America, Inc.