

Xpress Fiber Management® (XFM) 2RU Patch Panel

The Xpress Fiber Management (XFM) 2U patch panel is a rack mountable interconnect point specifically designed to manage dense fiber applications. Based on the LGX® intermateability platform, the panel is fully compatible with AFL's XFM Optical Cassette, Passive Optical Coupler Modules, and Poli-MOD® solutions. This panel offers enhanced management of densities up to 144 fibers using MTP-LC XFM Optical Cassettes (24 fibers).

Features

- Steel construction
- Textured black powder coat finish
- Universal WECO/TIA 19"/23" rack compatibility
- (6) LGX 118 adapter plate / module mounting positions
- Slide-out tray with relief cut-outs for simplified connector access
- Optional front door key lock for heightened protection of internal components

Applications

- Data Centers
- Enterprise Networks
- Telecommunications Closets
- Central Offices / Headends

Specifications

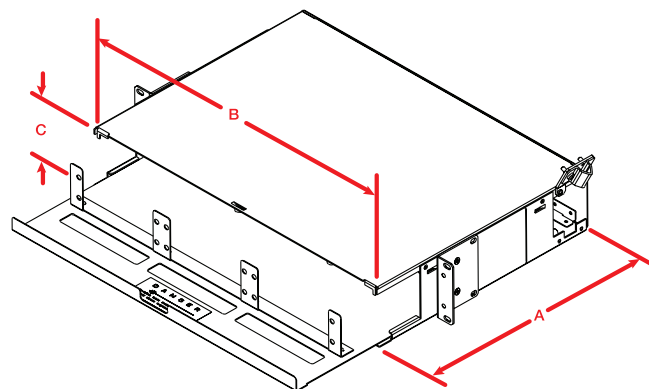
DEPTH (A) IN INCHES	WIDTH (B) IN INCHES	HEIGHT (C) IN INCHES	RACK UNITS	CAPACITY	UNLOADED WEIGHT
15.5	17	3.5	2	(6) LGX 118	15 lbs.

Ordering Information

DESCRIPTION	MODEL NUMBER	AFL NO.
Xpress Fiber Management 2U Patch Panel, Black, Empty	XFM-2-U-B-0	FM002712-BE

Accessories

DESCRIPTION	AFL NO.
Kit, Lock, for CON/CNS Panels	FM001318



LGX is a registered trademark of Furukawa Electric North America, Inc.