

### Application Note

### ASCEND Cable Mounting Bracket

This Application Note will discuss ASCEND cable mounting brackets, an accessory to the ASCEND product line, and the maximum cable diameters that can fit within these brackets.

#### Cable Mounting Bracket

ASCEND trunk cables include a pre-installed cable mounting clip, or Outback Clip, that mounts directly on the ASCEND housing in the rear trunk cable management area and do not require a separate cable mounting bracket. The ASCEND cable mounting brackets are required when using non-ASCEND trunk cable assemblies. The mounting kits come in single and dual configurations (Figure 1).

After securing the cable clamp to the bracket base, the bracket is mounted on the left or right side at the rear of ASCEND housings, either above or below the brush guards to efficiently accommodate direction of incoming cable(s). Foam tape is provided with both cable mounting kits to secure any cables that are too narrow.

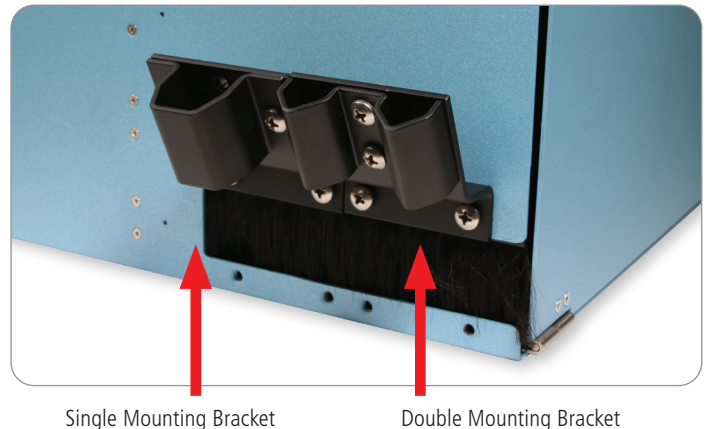


Figure 1. Single and Dual Mounting Brackets

ASCEND 1RU and 2RU housings can accommodate one single mounting bracket or one dual mounting bracket per side, or two total brackets if entering from both sides of the housing. ASCEND 4RU housings can accommodate two single mounting brackets or two dual mounting brackets per side, as shown in Figure 1, or eight total brackets if entering from both sides and top and bottom of the housing.

#### Maximum Cable Diameters

##### Single Mounting Bracket

The single mounting bracket can accept a maximum cable diameter of 23 mm. The table below outlines the maximum cable diameters, in millimeters, accepted if running multiple cables through the bracket (Figure 2).

SINGLE MOUNTING BRACKET	
NUMBER OF CABLES	MAXIMUM CABLE DIAMETER (mm)
1	23
2	13.5
3	12.3
4	10.6
5	9.3

Figure 2. Maximum Cable Diameters in the Single Mounting Bracket

### Application Note

### ASCEND Cable Mounting Bracket

#### Single Mounting Bracket (cont.)

Examples of each cable diameter laid out in the bracket to scale are outlined below (Figures 3-7).

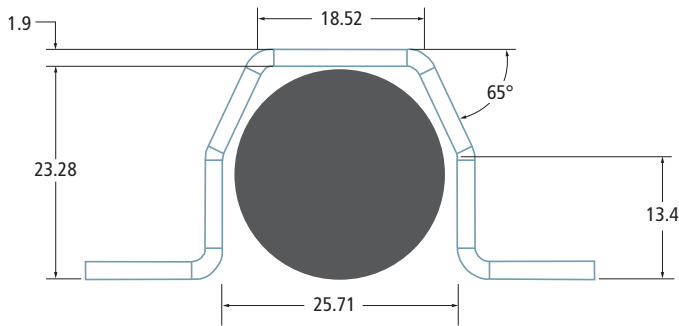


Figure 3. Single Mounting Bracket with one 23 mm OD Cable

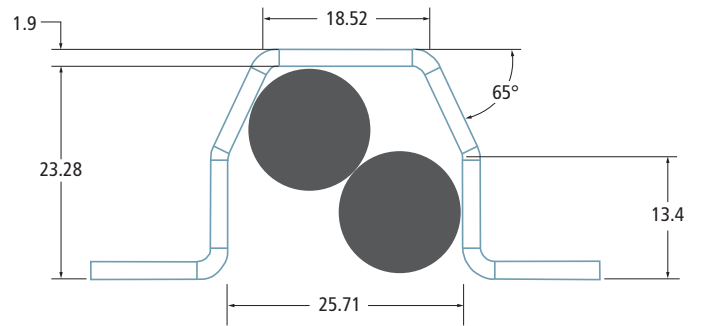


Figure 4. Single Mounting Bracket with two 13.5 mm OD Cables

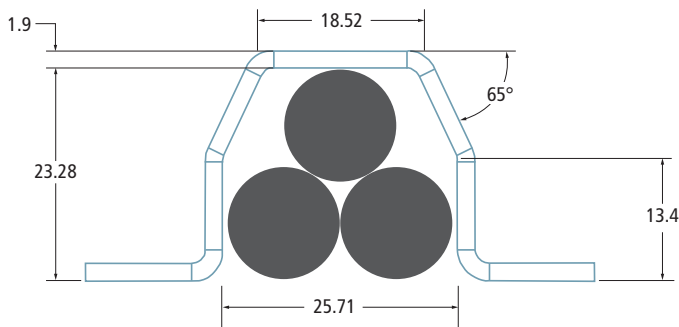


Figure 5. Single Mounting Bracket with three 12.3 mm OD Cables

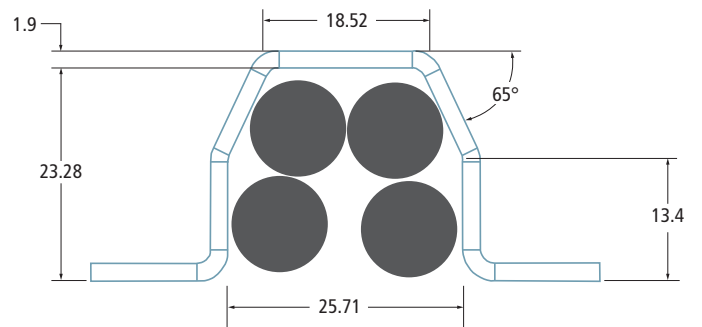


Figure 6. Single Mounting Bracket with four 10.6 mm OD Cables

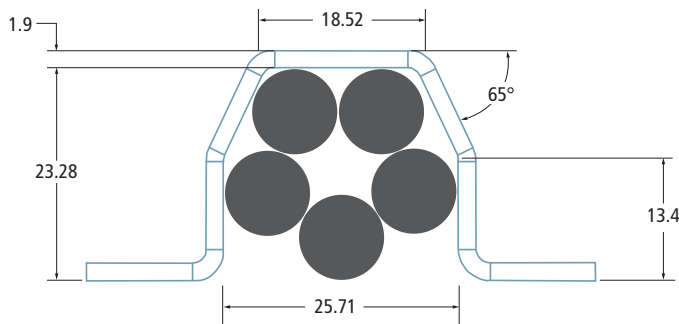


Figure 7. Single Mounting Bracket with five 9.3 mm OD Cables

### Application Note

### ASCEND Cable Mounting Bracket

#### Maximum Cable Diameters (cont.)

#### Dual Mounting Bracket

The dual mounting bracket can accept a maximum cable diameter of 12.5 mm in each slot. The table below outlines the maximum cable diameter, in millimeters, accepted if running multiple cables through the bracket (Figure 8). Since the dual bracket has two slots, the number of cables allowed at the specified maximum diameter will double.

DUAL MOUNTING BRACKET	
NUMBER OF CABLES	MAXIMUM CABLE DIAMETER (mm)
1	12.5
2	7.9
3	7.4
4	5.5
5	5.3

Figure 8. Maximum Cable Diameters in the Dual Mounting Bracket

Examples of each cable diameter laid out in the bracket to scale are outlined below (Figures 9-13).

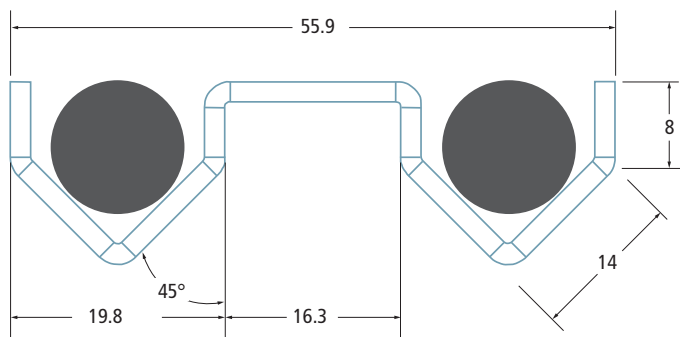


Figure 9. Dual Mounting Bracket with one 12.5 mm OD Cable in Each Slot

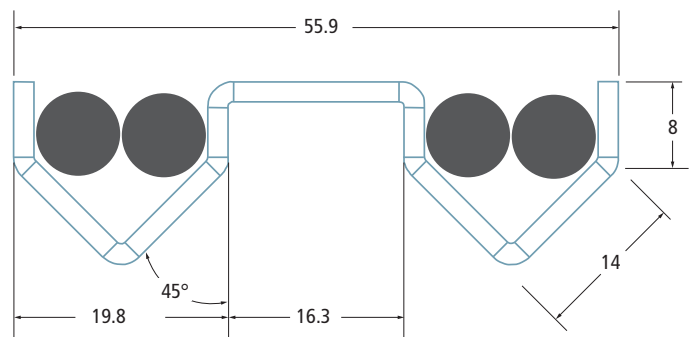


Figure 10. Dual Mounting Bracket with two 7.9 mm OD Cables in Each Slot

### Application Note

### ASCEND Cable Mounting Bracket

#### Dual Mounting Bracket (cont.)

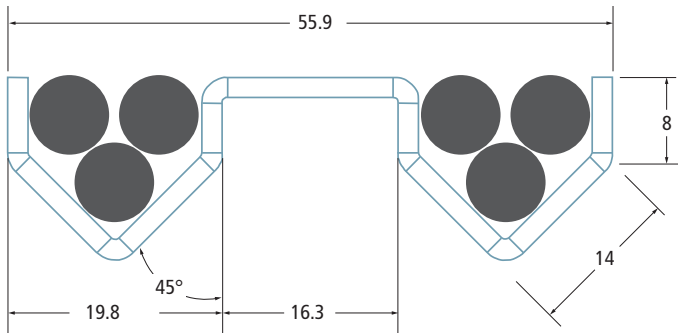


Figure 11. Dual Mounting Bracket with three 7.4 mm OD Cables in Each Slot

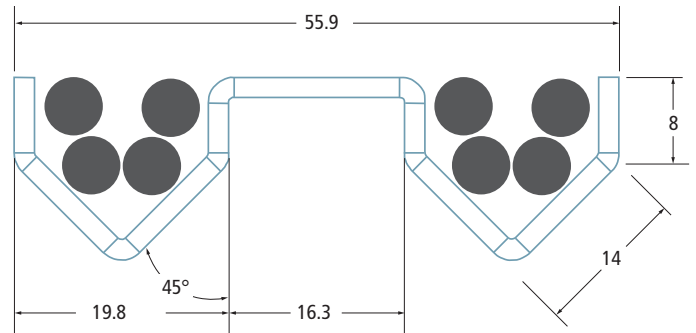


Figure 12. Dual Mounting Bracket with four 5.5 mm OD Cables in Each Slot

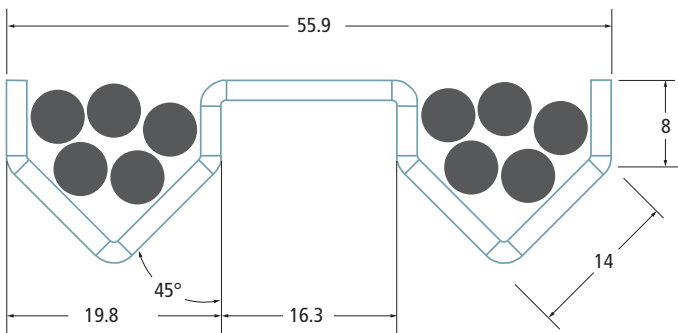


Figure 13. Dual Mounting Bracket with five 5.3 mm OD Cables in Each Slot