

LightLink LANSysTM 1RU and 2RU Termination Patch/Spice Panels Splice Tray Selection

Design changes to the LightLink LANSysTM 1RU and 2RU Termination Patch/Spice Panels initiated in 2009 and fully implemented in 2010 affected the way splice trays are mounted into the panel. The addition retaining pin required a redesign of the splice trays offered with the LightLink LANSysTM 1RU and 2RU Termination Patch/Spice Panels.

By looking inside the panel at the tray assembly, the presence of two retaining pins will signify that it is the current LightLink LANSysTM 1RU or 2RU Termination Patch/Spice Panel. In order to accommodate the addition of these retaining pins a metal splice tray was developed with two mounting holes. This design modification allows the splice tray(s) to be securely positioned within the 1RU and 2RU Termination Patch/Spice Panels.

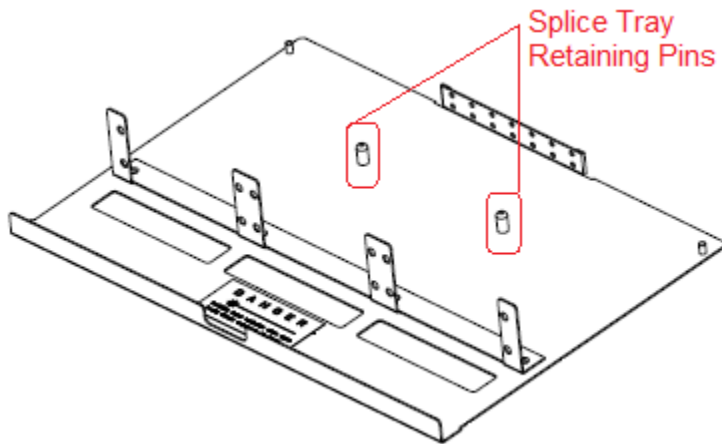


Figure 1: Current LightLink LANSysTM 1RU and 2RU Termination Patch/Spice Panels Tray Assembly

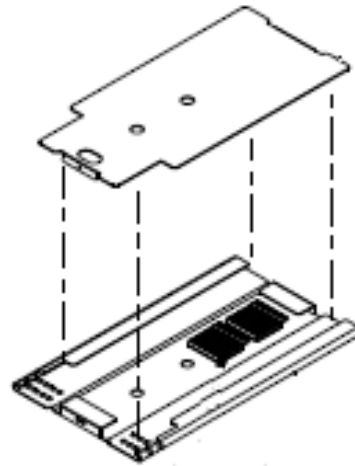


Figure 2: Current Metal Splice Tray with Mounting Holes

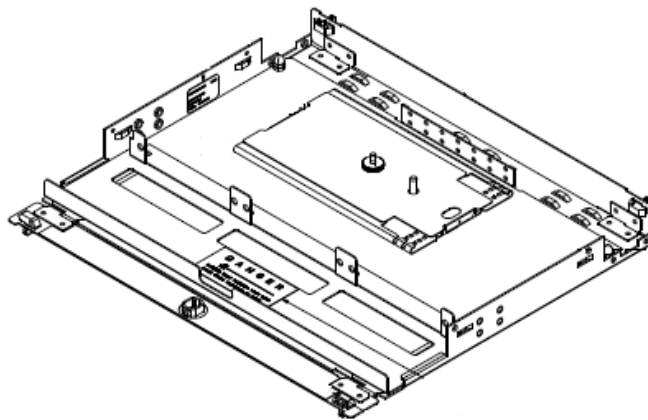


Figure 3: Current Metal Splice Tray Mounted into LightLink LANSysTM 1RU and 2RU Termination Patch/Spice Panels

The FM002826-XX and FM002827-XX metal splice trays were developed to function as a universal splice tray solution within the LightLink LANSysTM 1RU or 2RU Termination Patch/Splice Panels and the Wall Mount Interconnect Enclosures.

The following tables outline the capacity associated with each of the FM002826-XX and FM002827-XX options.

LightLink LANSysTM 1RU Termination Patch/Splice Panel

FM002826-1	Splice Tray Kit: 12 Fiber, 1RU Patch Panels, Standard Density
FM002826-2	Splice Tray Kit: 12 Fiber, 1RU Patch Panels, High Density
FM002826-1R	Splice Tray Kit: 12 Fiber, 1RU Patch Panels, Standard Density Ribbon
FM002826-2R	Splice Tray Kit: 12 Fiber, 1RU Patch Panels, High Density Ribbon

LightLink LANSysTM 1RU Termination Patch/Splice Panel

FM002827-1	Splice Tray Kit: 12 Fiber, 2RU Patch Panels, WME02, WME04, 1 Splice Tray
FM002827-2	Splice Tray Kit: 12 Fiber, 2RU Patch Panels, WME02, WME04, 2 Splice Tray
FM002827-3	Splice Tray Kit: 12 Fiber, 2RU Patch Panels, WME02, WME04, 3 Splice Tray
FM002827-4	Splice Tray Kit: 12 Fiber, 2RU Patch Panels, WME02, WME04, 4 Splice Tray
FM002827-1R	Splice Tray Kit: 12 Fiber, 2RU Patch Panels, WME02, WME04, 1 Ribbon Splice Tray
FM002827-2R	Splice Tray Kit: 12 Fiber, 2RU Patch Panels, WME02, WME04, 2 Ribbon Splice Tray
FM002827-3R	Splice Tray Kit: 12 Fiber, 2RU Patch Panels, WME02, WME04, 3 Ribbon Splice Tray
FM002827-4R	Splice Tray Kit: 12 Fiber, 2RU Patch Panels, WME02, WME04, 4 Ribbon Splice Tray

The FM002826-XX and FM002827-XX splice trays are backwards compatible with previous versions of the LightLink LANSysTM 1RU and 2RU panels.

Installation Recommendations:

When installing the FM002826-XX or FM002827-XX splice trays into a previous LightLink LANSysTM 1RU or 2RU panels, that do not include the retaining pins, it is our recommendation that double-sided Velcro tape and/or Velcro straps be utilized for the mounting process. It must be noted that AFL does not offer a dedicated kit for this installation.

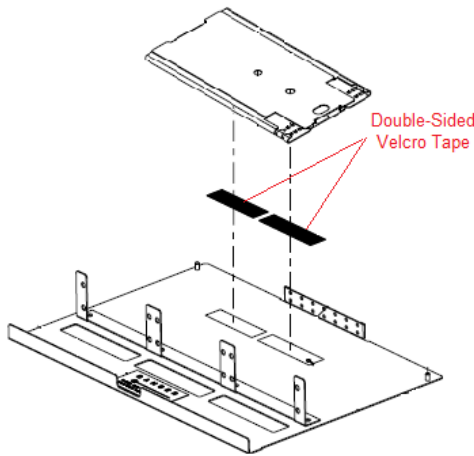


Figure 4: Metal Splice Tray Mounted Utilizing Double-Sided Velcro Tape

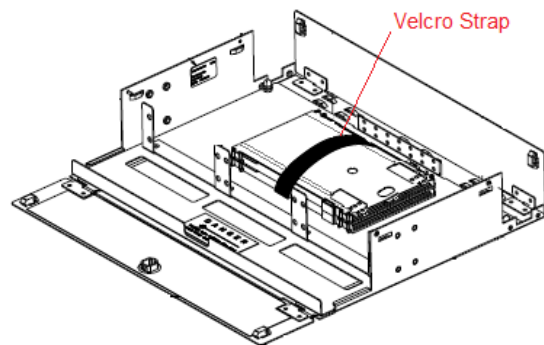


Figure 5: Multiple Metal Splice Trays Mounted Utilizing both Double-Sided Velcro Tape and Velcro Straps